


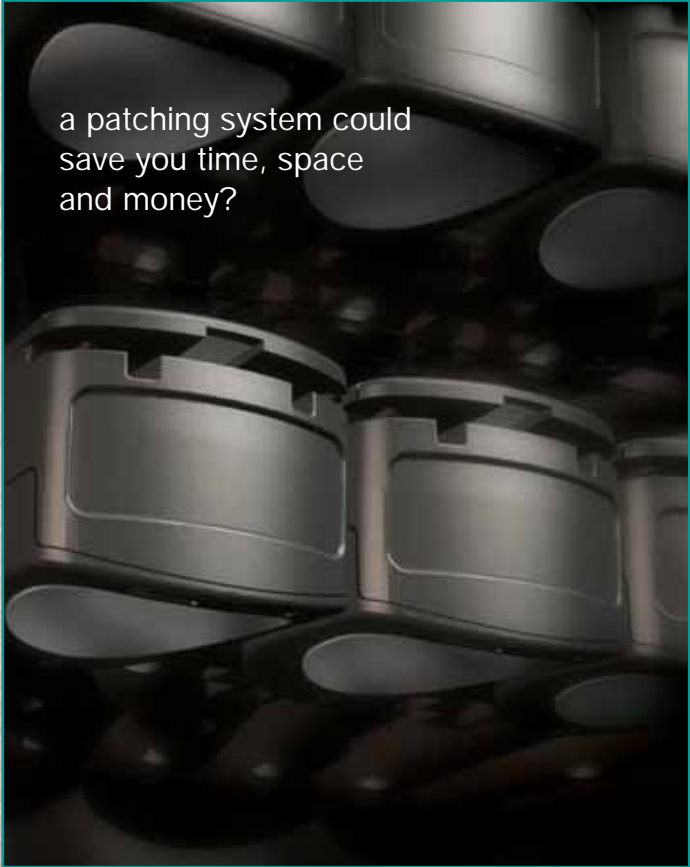


SYSTIMAX<sup>®</sup> VisiPatch<sup>®</sup> 360 System  
Solution Brochure


# What if...




you could add a whole new dimension to your communications room?



a patching system could save you time, space and money?



you could experience performance in a whole new way?



It's possible.  
Introducing the SYSTIMAX  
VisiPatch 360 System.

**It's a revolution  
in patching.**



## Change how you view performance

It's more than bandwidth. It's more than speed. It's more than product reliability.

CommScope®, through its SYSTIMAX® brand, has always been dedicated to understanding the user experience, listening to our customers' concerns and needs, analyzing how we can help improve efficiency. And after exhaustive research, we've developed a whole new approach that holistically integrates form, function and usability to deliver true performance.

**We call it our 360° design philosophy**—an approach that redefines performance from every angle. It combines breakthrough technology with radical design innovation. The result is a whole new approach to network infrastructure solutions.

The first result of this new philosophy is a new generation of patching systems—the SYSTIMAX® VisiPatch® 360 System, which seamlessly incorporates patching and integrated cable management to deliver an ergonomically designed and aesthetically pleasing solution that saves you time, space and money.



### A revolutionary difference

The unique reverse patching technology the VisiPatch 360 System employs improves cord management and reduces the "spaghetti" cord clutter of poorly installed RJ-45 systems. The reduced clutter is both visually elegant and ergonomically functional, providing for clear and easy port labeling, a simpler user experience, and a sophisticated appearance in your communications room.



By projecting the cord away from the user and into the patching field, the VisiPatch 360 System makes the patch cord plug-end more accessible, makes reading the labeling information easy and facilitates future moves, adds and changes.

Due to the increased usable density, the VisiPatch 360 System can be more cost-effective than RJ-45 systems.

**Usable density** is also maximized in the VisiPatch 360 System. Patch cord and cable congestion in traditional RJ-45 systems cause usable density to be lower than the actual port density. Not so with the VisiPatch 360 System, which is specifically designed to maximize usable density by minimizing patch cord and cable congestion.

Continuing the technology and performance excellence that CommScope® is known for, the VisiPatch 360 System makes possible the first real IDC-based 10G components and channel.

## Designed with your needs in mind

What the key VisiPatch 360 System features and benefits mean for you:

### Save Time

- Best-in-class transmission performance
- Easy access to patch plug
- Snap-together components
- Clear and simple port labeling

### Save Space

- Modular, scalable and flexible
- Unique reverse patching technology
- Integrated horizontal and vertical cable and patch cord management

### Save Money

- Increased usable density
- Cost-effective 10G connectivity system
- Lower per port cost than traditional RJ45 applications

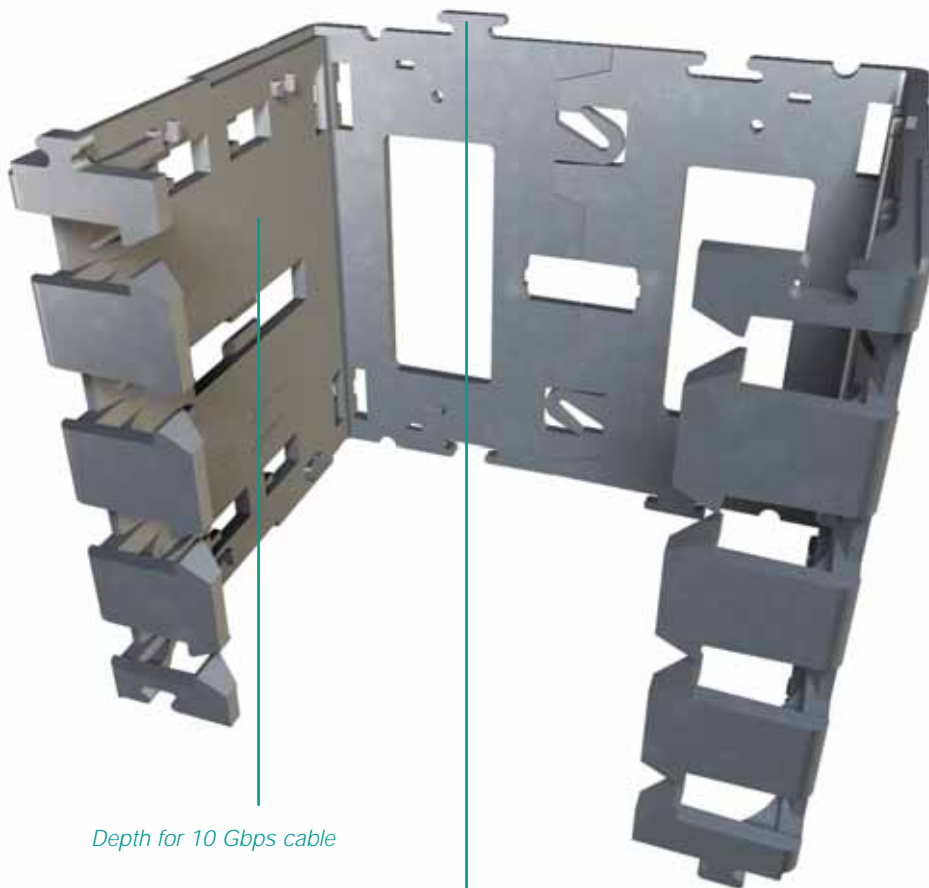
## Save time, space and money from the inside out

The five key components that make up the VisiPatch 360 System are carefully designed to work together to create a simple and custom installation. This modular nature of the system also means future expansion is easy and cost-effective.

### Back Panel

The back panel is made of structural foam and serves as the framework for the system. Careful thought went into making the back panels ergonomically designed to simplify installation as well as future expansion.

- 7 in (17.78 cm) depth to accommodate 10 Gb/s cable
- Space between the wiring blocks equals to 1U (1RMU)
- Top and bottom guides allow for quick, easy stacking



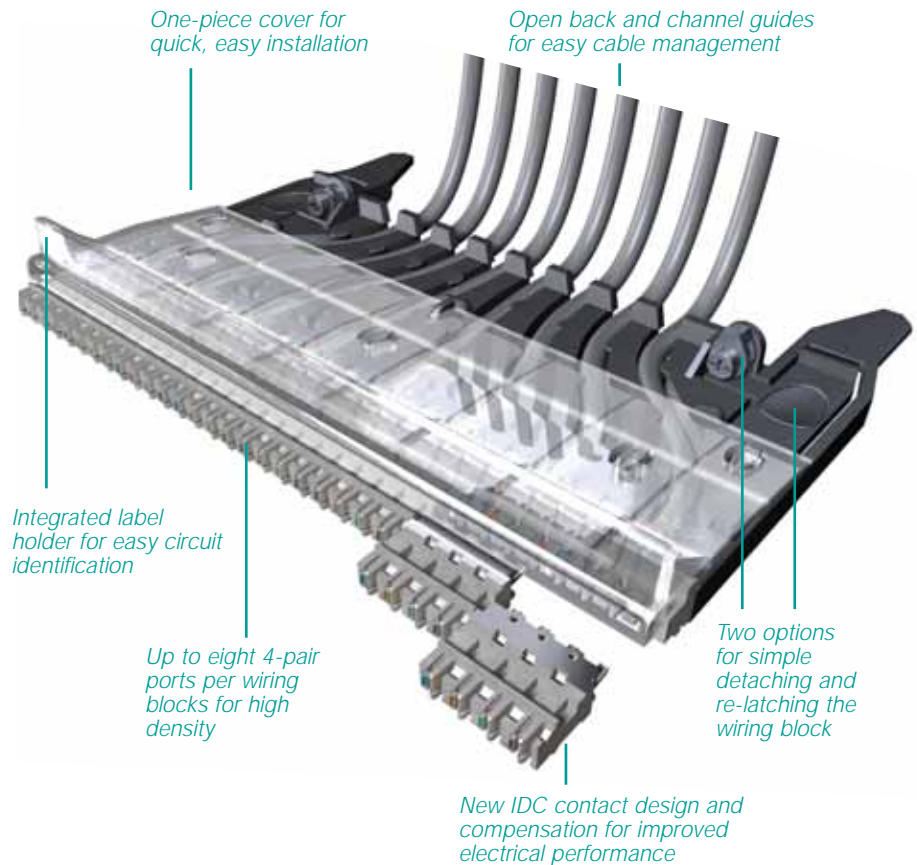
*Depth for 10 Gbps cable*

*Interlocking tabs for quick, easy stacking*

## Wiring Block/Connecting Block

Even the standard wiring block benefited from a complete rethinking. The result was the redesign or addition of several key features that improve performance and ease-of-use.

- Accommodates up to eight 4-pair ports per wiring block for high density
- Eight port count to match server/switch configuration
- Open back and channel guides for easy cable management
- One-touch finger releases for simple detaching and re-latching of the wiring block
- Quarter-turn cam fasteners provide alternative method for detaching the wiring block
- One-piece cover for quick, easy installation
- Patented new IDC contact design and compensation methods, including offset IDCs and parasitic rings, improve electrical performance



## Patch Cord

One of the most dramatically redesigned elements in the VisiPatch 360 System is the visually striking patch cord. Designed with ergonomics and appearance in mind, the patch cords offer easy access to plug ends.

- Compact, ergonomically designed plug is easy to grab and patch
- Clear demarcation of gripping points improves speed and efficiency of patching
- 4-pair and 1-pair patch cords available
- Integrated anti-slag design for frustration-free installation and moves, adds and changes post installation
- Labeling area makes future MACs much simpler
- Accommodates data, analog, digital and power circuits

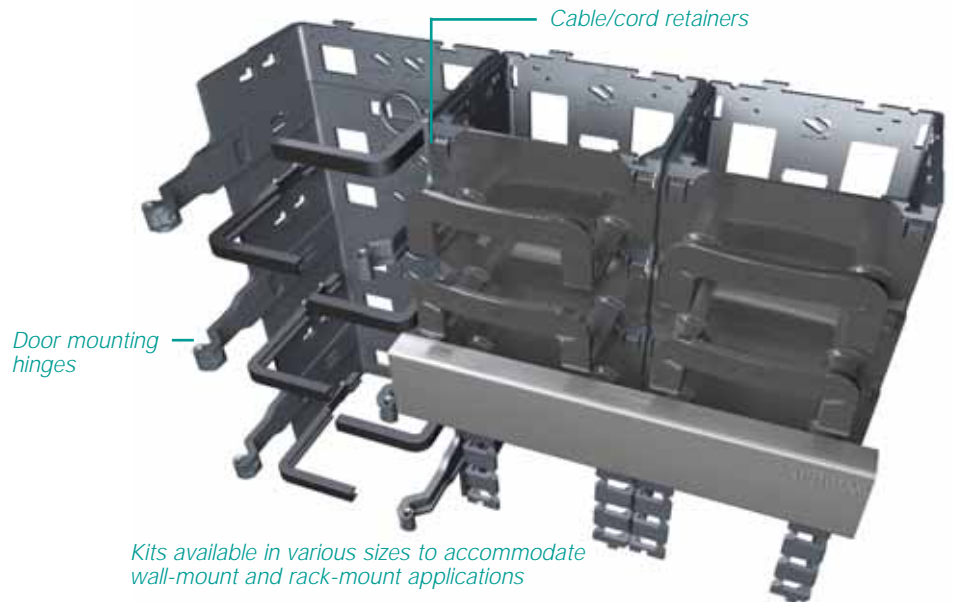


## Cable Management

Key to the efficient design and elegant appearance of the VisiPatch 360 System, the innovative cable

management system fully integrates robust vertical and horizontal spaces to increase ease-of-use.

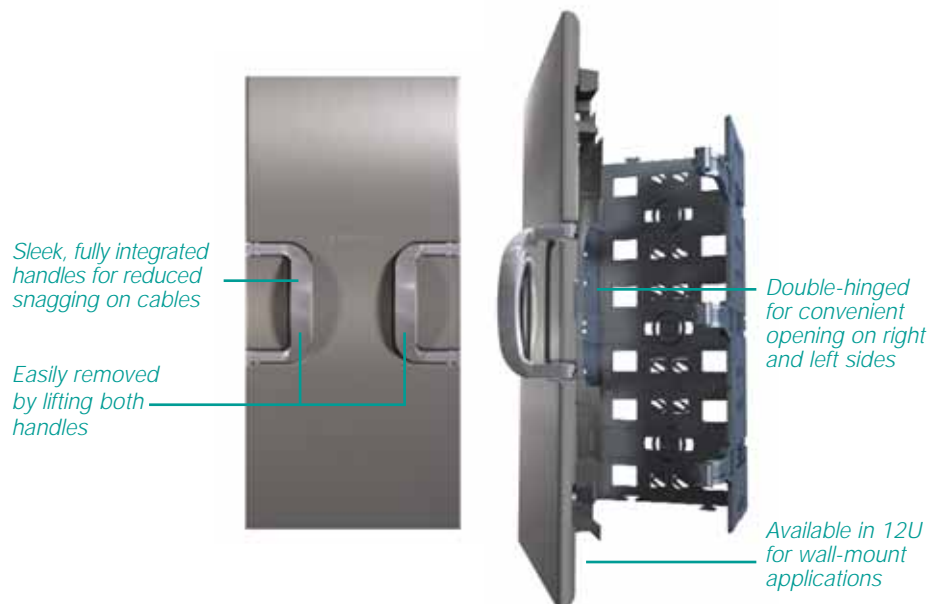
- Spacer module—integral part of the vertical trough cable manager kit—offers easy installation and proper alignment
- Spacer module features 11.5 in (29.21 cm) depth for efficient cable/cord management
- Micro/macro cable/cord retainers available for better cable/cord management in the vertical cable trough
- Modular horizontal cable management trough and cover provide additional spaces for cord management



## Vertical Trough Cover

The vertical cable management is concealed by the vertical trough cover, a beautiful brushed aluminum door that can swing easily to either side, or be removed altogether.

- Double-hinged doors allow for convenient right or left opening without removal or awkward handle rotation
- Door can be easily removed by lifting both handles with a smooth, quiet operation
- Door attaches easily to hinge points thanks to added gather and bullet-nosed hinge pins.
- Ergonomic, sleek and fully-integrated polished handles minimize snagging on clothing or cables
- Available in 12U to accommodate wall-mount applications



Every aspect of the VisiPatch 360 System was carefully rethought and redesigned for performance and for maximized usable density. It's nothing less than a revolutionary way to think about patching.

And this is just the beginning. The VisiPatch 360 System represents the initial phase of the revolutionary SYSTIMAX 360° design philosophy that means you'll never look at performance the same way again.

Are you ready to experience the revolution?



# SYSTIMAX® VisiPatch® 360 SYSTEM



© 2008 CommScope, Inc. All rights reserved.

Visit our Web site at [www.commscope.com](http://www.commscope.com) or contact your local CommScope representative or BusinessPartner for more information. All trademarks identified by ® or ™ are registered trademarks or trademarks, respectively, of CommScope.

This document is for planning purposes only and is not intended to modify or supplement any specifications or warranties relating to SYSTIMAX products or services.

04/08 SO-A-1